

ZOOM

ECODESIGN 3RD RAIL SHOE

ONE STEP FURTHER
ON THE ROAD TO
ECO-RESPONSIBILITY



PERFORMANT AND ENVIRONMENTALLY FRIENDLY

A RECYCLABLE SYSTEM

- Innovative assembly
- Reuse of the metal components
- Replacement of the carbon wear strip only

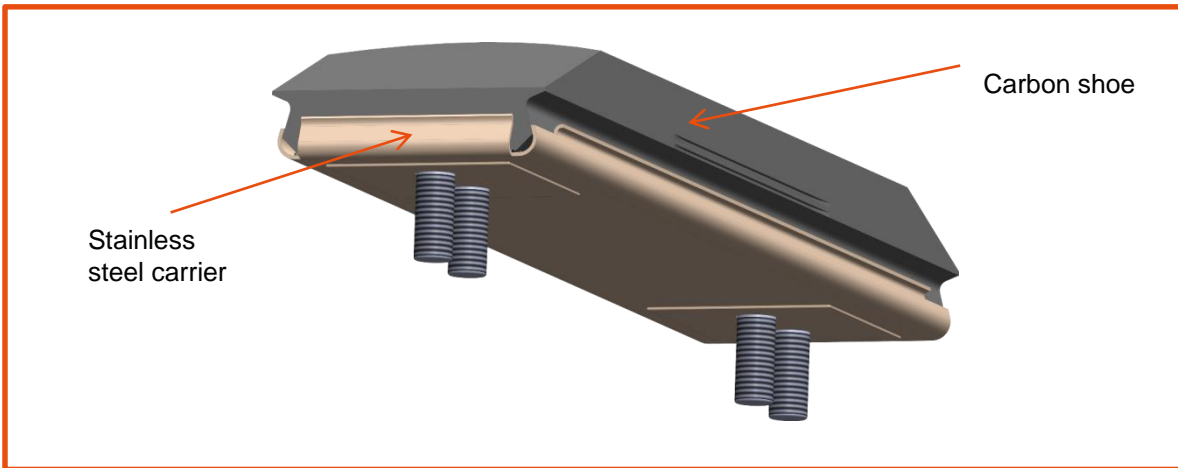
A PATENTED SOLUTION

WINNER OF THE INNOVATION TROPHY



INNOVATIVE ASSEMBLY

- Replacement of the carbon wear strip only
- Eradicates the need for lead brazing
- No more corrosion of the carrier and bolts



SAFE AND SECURE ASSEMBLY

- Use of a stainless steel carrier
- Excellent resistance to shock, vibration and mechanical stress
- Uniform current distribution within the shoe (reduced electrical loss)

RECYCLABLE METAL COMPONENTS

- Reuse of the carriers and bolts
- Waste recycling
- Complete Recycling and Reconditioning program by Mersen

Contact: info.ptt@mersen.com

PTT-3RD-RAIL-EN-1703